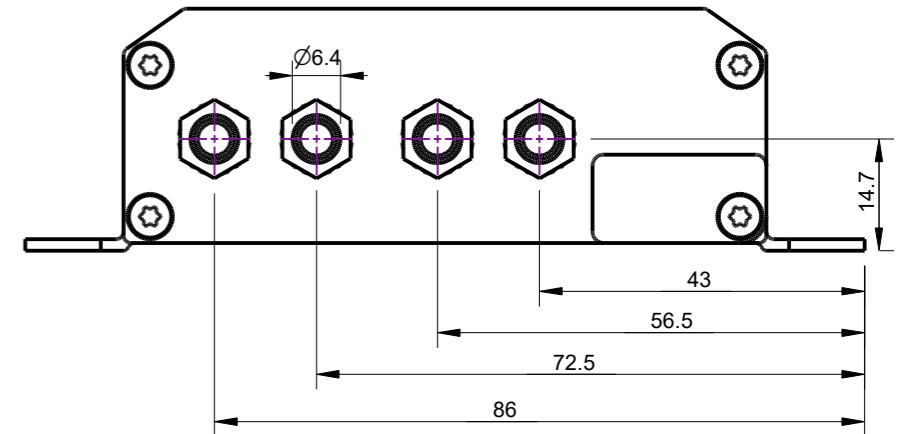
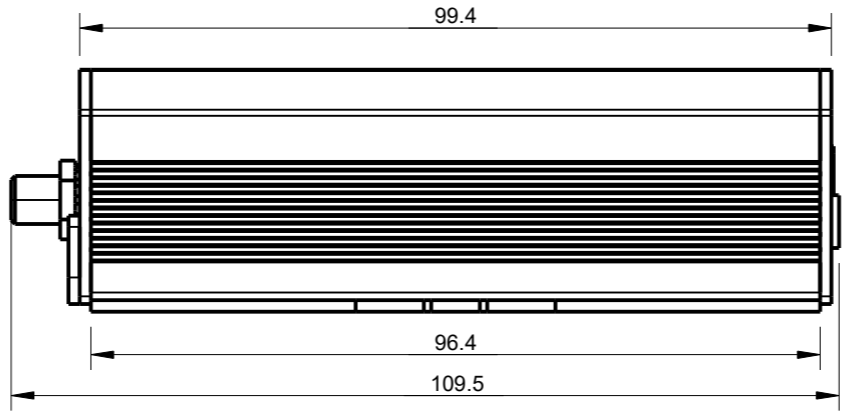
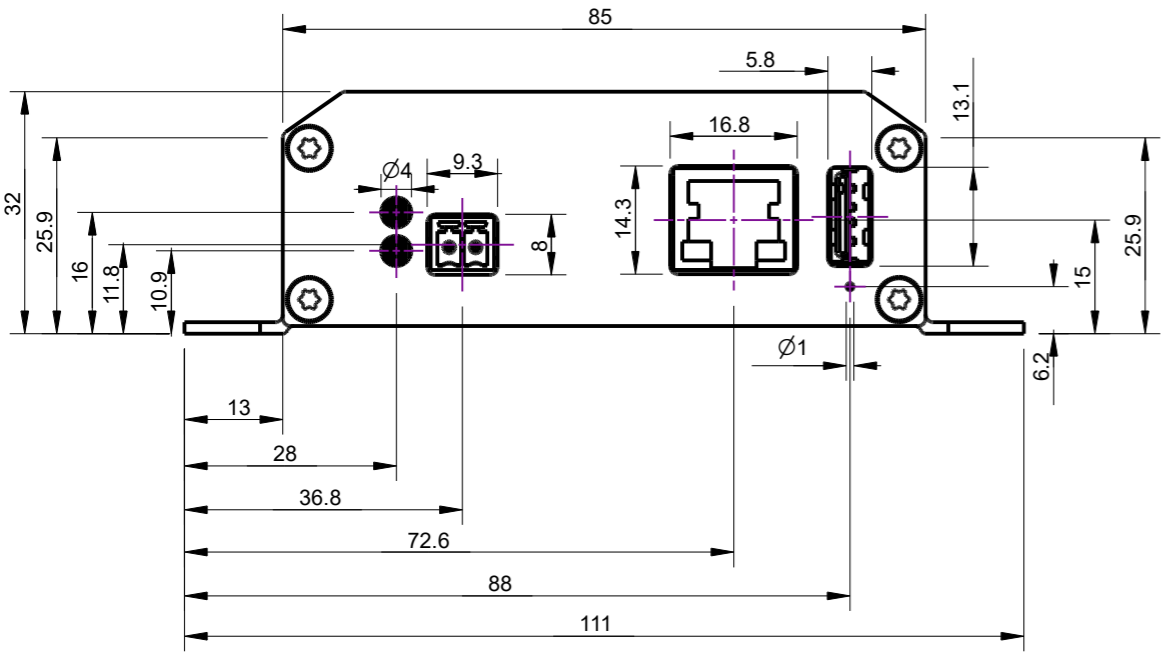
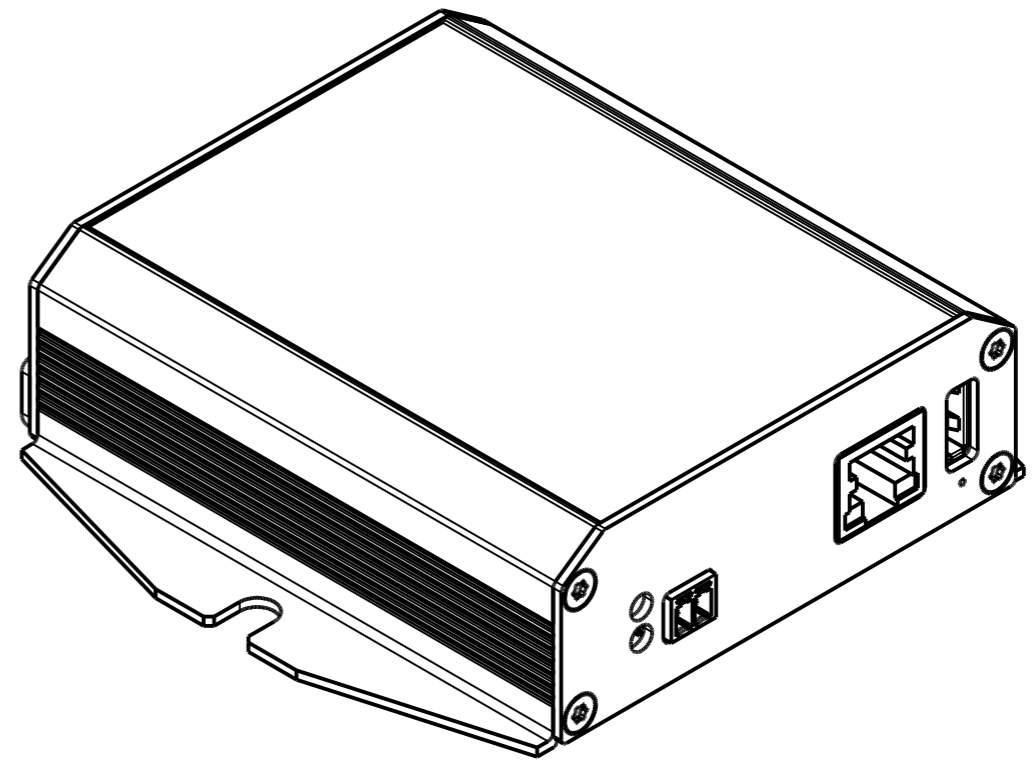
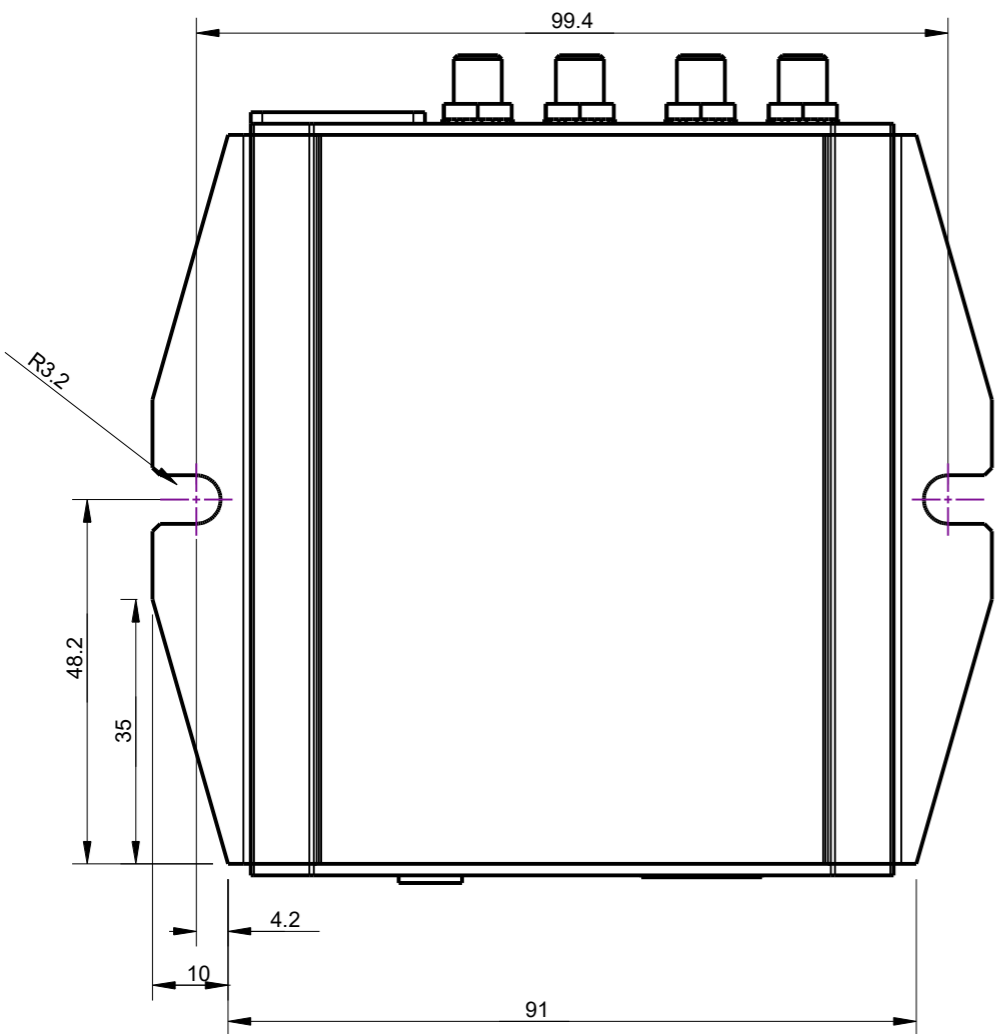


A



B

C



F

Itemref	Quantity	Title/Name, designation, material, dimension etc			Article No./Reference
rr		Checked by jl	Approved by - date	File name	Date 2017-05-23
		NB800-LWWtSu			
Drawing No. NB800_V1_0		Format A3	Edition V1_0	Sheet 1/1	